

# QUICK DISC 3CCT

## 120V AC 3-CCT LED Disc Light

Multi-purpose surface mount disc for use with standard and pancake junction boxes. The sleek, low-profile design is available in two sizes. An energy-saving dimmable 3-CCT LED light, with driver on-board, and polycarbonate lens to diffuse and soften light. Easy mounting style makes installation quick and hassle-free.

- Excellent color rendering (up to 90 CRI)
- Selectable CCT (2700K, 3000K and 4000K)
- Two sizes available with up to 1200 lumens
- Available in white or dark bronze
- Low profile design, as little as 1" high
- On-board driver
- Polycarbonate lens for diffuse, soft light
- Dimmable with most TRIAC and ELV dimmers
- cETLus Listed for wet locations, Energy Star certified
- 35,000 hours rated life

PROJECT:
TYPE:
LOCATION:
CATALOG NUMBER:

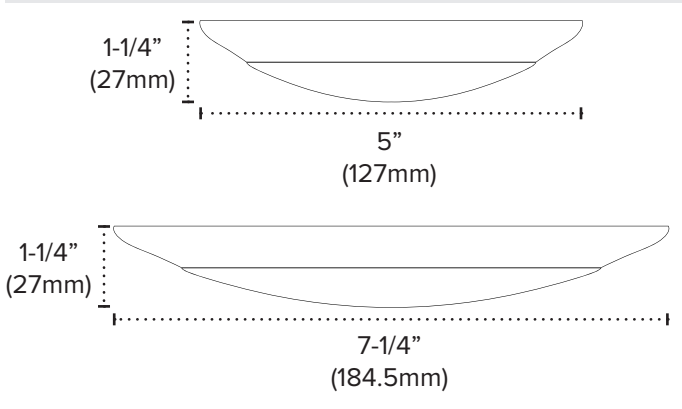


### 3-CCT QUICK DISC QUICK SPECS

<b>SIZE</b>	4" / 6"
<b>INPUT VOLTAGE</b>	120V AC, 60Hz
<b>WATTAGE</b>	9W / 15W
<b>LUMENS</b>	Up to 1200Lm
<b>CCT</b>	2700K/3000K/4000K (Selectable)
<b>CRI</b>	80/85/90
<b>DIMMING</b>	10-100%* with most TRIAC and ELV dimmers
<b>BEAM ANGLE</b>	120°
<b>OPERATING TEMP</b>	-10°C (-14°F) to 50°C (122°F)
<b>CERTIFICATIONS</b>	cETLus - wet locations, Energy Star
<b>RATED LIFE</b>	35,000 Hours

\*Minimum loads may apply. Per the NEC, switched wall outlets cannot be used with wall dimmers.  
 \*\*Do not install in inclement weather or extreme temperatures conditions (i.e. -25°C (13°F) and below).

### 3-CCT QUICK DISC QUICK DIMENSIONS



**3-CCT QUICK DISC ORDERING INFORMATION**

ITEM NUMBER	DESCRIPTION	VOLTAGE	WATTAGE	LUMENS	CCT	FINISH
<b>QD4-3CCT-WH</b>	4" 3-CCT Disc Light	120V AC	9W	680Lm/700Lm/680Lm	2700K/3000K/4000K	White
<b>QD4-3CCT-DB</b>	4" 3-CCT Disc Light	120V AC	9W	630Lm/650Lm/630Lm	2700K/3000K/4000K	Dark Bronze
<b>QD6-3CCT-WH</b>	6" 3-CCT Disc Light	120V AC	15W	1150Lm/1200Lm/1150Lm	2700K/3000K/4000K	White
<b>QD6-3CCT-DB</b>	6" 3-CCT Disc Light	120V AC	15W	1050Lm/1080Lm/1050Lm	2700K/3000K/4000K	Dark Bronze

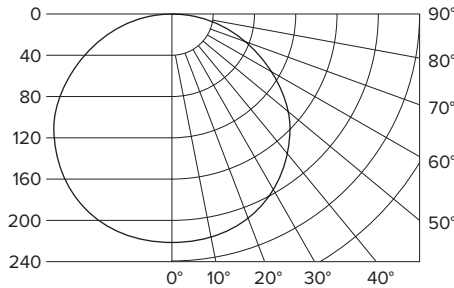
**COMPATIBLE DIMMERS**

BRAND	ITEM NUMBER	DESCRIPTION	DIMMING RANGE
Lutron® Diva	DVCL-153P	Universal (CFL/LED/Incandescent)	5-100%
Lutron® Toggler	TGCL-153PH	Universal (CFL/LED/Incandescent)	10-100%
Lutron® Skylark	SELV-300P	Electronic Low-Voltage (ELV)	5-100%
Lutron® Diva	DV-600P	Incandescent	5-100%
Leviton® Sureslide	6674	Universal (CFL/LED/Incandescent)	5-100%

**QUICK DISC SERIES PHOTOMETRICS**

**QD4**

<b>PART NUMBER</b>	QD4-30-WH
<b>BEAM SPREAD</b>	115.5°
<b>LUMENS</b>	564.6 Lm
<b>WATTAGE</b>	9W
<b>EFFICACY</b>	62.8 Lm/W
<b>CCT</b>	3000K
<b>CRI</b>	94.3

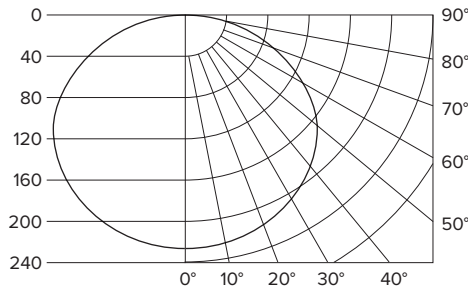


Foot Candles	Beam Dia.
11.4	4' 12.7'
5.1	6' 19'
2.8	8' 25.4'
1.8	10' 31.7'
1.3	12' 38'
0.9	14' 44.4'

Distance From Light

**QD6**

<b>PART NUMBER</b>	QD6-30-WH
<b>BEAM SPREAD</b>	114.9°
<b>LUMENS</b>	984.33 Lm
<b>WATTAGE</b>	15W
<b>EFFICACY</b>	65.6 Lm/W
<b>CCT</b>	3000K
<b>CRI</b>	93.2



Foot Candles	Beam Dia.
20.0	4' 12.5'
8.9	6' 18.8'
5.0	8' 25.1'
3.2	10' 31.3'
2.2	12' 37.6'
1.6	14' 43.9'

Distance From Light